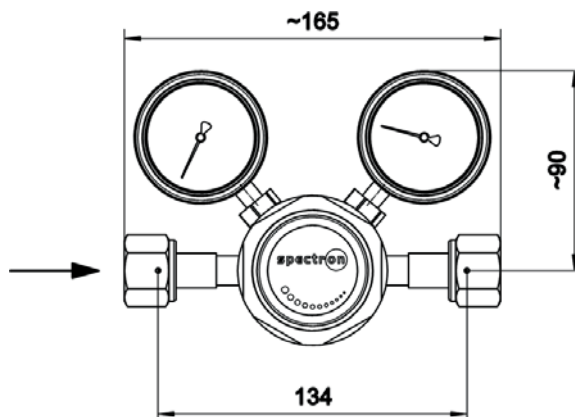


Pressure regulator E71-VCR

spectron pur



Pressure regulator E71-VCR



Product features

- Pressure regulator for hazardous gases and ultra high purity gases from grade 6.0
- Single-stage regulator with anti vibration device
- Pressure regulator can be evacuated
- High control accuracy
- Metal-to-metal seal to atmosphere
- High surface quality
- Tied diaphragm
- Minimized internal volume for short purge times
- Electro-polished surfaces (gas wetted)
- Simple outlet pressure limitation by handwheel
- 100 % Helium leak tested
- Assembly in clean room class ISO 5.0

Technical data

Inlet pressure P_1 max. 200 bar

Outlet pressure P_2 max. 1,5 / 4 / 10 bar

Materials

Body: Stainless steel 1.4404

Diaphragm: Hastelloy C276

Other gas wetted parts: Stainless steel 1.4404

Sealings $P_1=50$ bar: PTFE

$P_1=200$ bar: PCTFE / PVDF

Surface roughness $R_{a,max} \leq 0,25 \mu m$
(gas wetted areas) $R_{a,Avg} \leq 0,18 \mu m$

Temperature range -20°C to +60°C

Leak rates

to atmosphere: $\leq 10^{-9}$ mbar l/s He

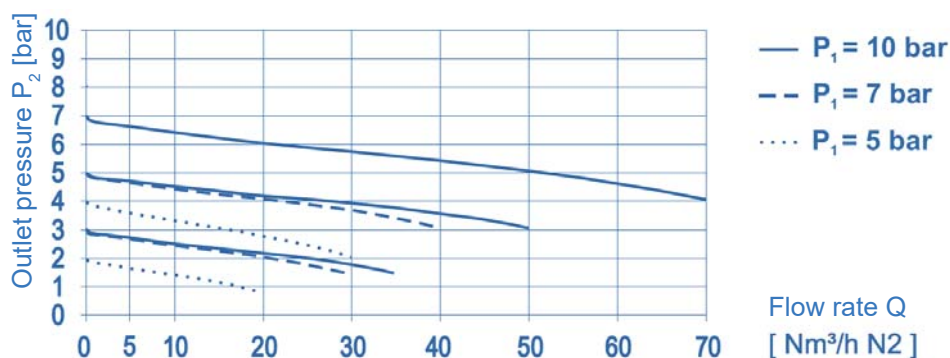
via valve seat: $\leq 10^{-6}$ mbar l/s He

c_v -value $c_v = 0,7$ ($k_v = 0,6$)

In- / outlet 1/2"-VCR male or
1/2"-VCR female

Weight 1,5 kg

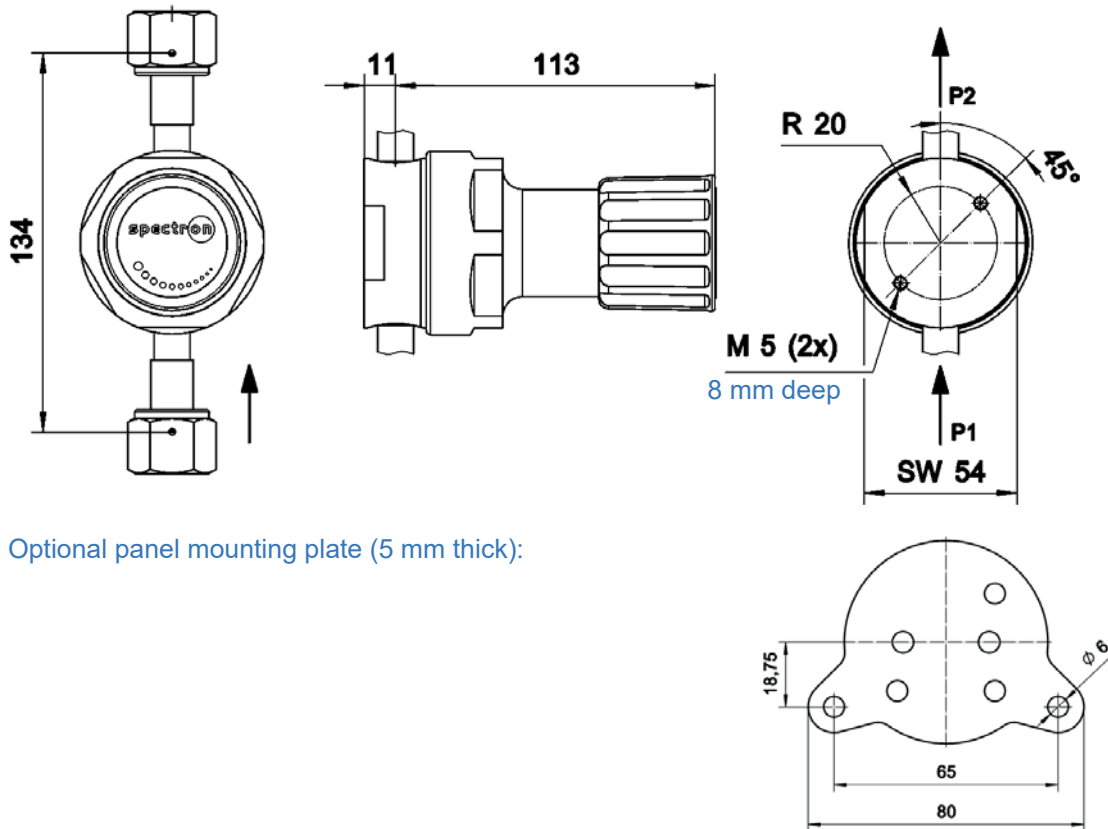
Flow curves E71-VCR



Pressure regulator E71-VCR



Dimensions



Optional panel mounting plate (5 mm thick):

Ordering information: Pressure regulator E71-VCR

E71 - 4 - 200 - 10 - VCRm - VCRm - M - M - Gas

In-/Outlets

2 2 ports
4 4 ports

Inlet pressure P_1

50 max. 50 bar
200 max. 200 bar

Outlet pressure P_2

1,5 max. 1,5 bar (only for $P_1 = 50$ bar)
4 max. 4 bar (only for $P_1 = 50$ bar)
10 max. 10 bar

Outlet press. indication

Inlet press. indication

M pressure gauge
K contact pressure gauge
PT pressure transmitter
B without (plug)
0 1/4"-VCR female port only

Outlet

VCRm 1/2"-VCR male
VCRf 1/2"-VCR female

Inlet

VCRm 1/2"-VCR male
VCRf 1/2"-VCR female