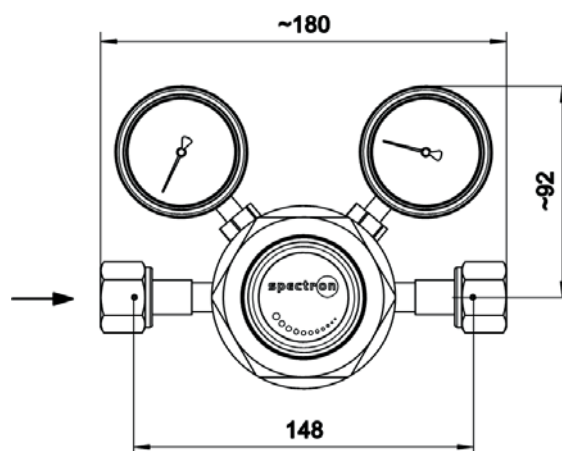


Pressure regulator E81-VCR

spectron **pur**



Pressure regulator E81-VCR



Product features

- Pressure regulator for hazardous gases and ultra high purity gases from grade 6.0
- Single-stage regulator
- Pressure regulator can be evacuated
- High control accuracy
- Metal-to-metal seal to atmosphere
- High surface quality
- Tied diaphragm
- Minimized internal volume for short purge times
- Electro-polished surfaces (gas wetted)
- Simple outlet pressure limitation by handwheel
- 100 % Helium leak tested
- Assembly in clean room class ISO 5.0

Technical data

Inlet pressure P_1 max. 50 bar

Outlet pressure P_2 max. 1,5 / 4 / 10 bar

Materials

Body: Stainless steel 1.4404
 Diaphragm: Hastelloy C276
 Other gas wetted parts: Stainless steel 1.4404
 Sealings: PTFE

Surface roughness (gas wetted areas)
 $R_{a,max} \leq 0,25 \mu\text{m}$
 $R_{a,Avg} \leq 0,18 \mu\text{m}$

Temperature range -20°C to +60°C

Leak rates

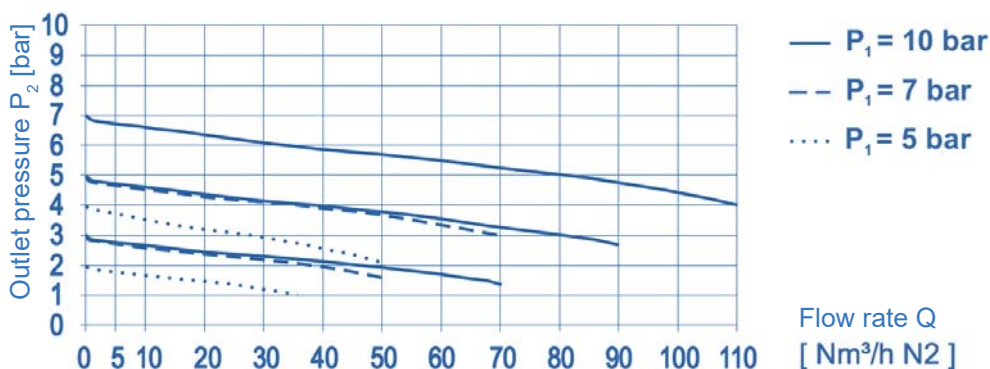
to atmosphere: $\leq 10^{-9}$ mbar l/s He
 via valve seat: $\leq 10^{-6}$ mbar l/s He

c_v -value $c_v = 1,0$ ($k_v = 0,9$)

In- / outlet 1/2"-VCR male or 1/2"-VCR female

Weight 1,7 kg

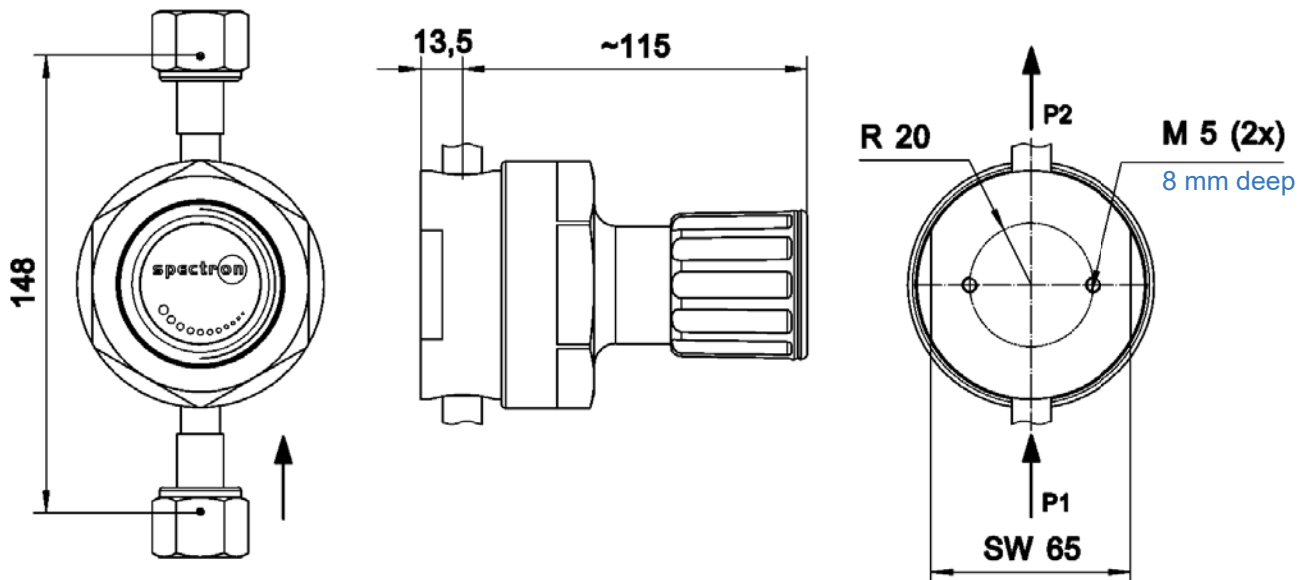
Flow curves E81-VCR



Pressure regulator E81-VCR



Dimensions



Ordering information: Pressure regulator E81-VCR

E81 - 4 - 50 - 10 - VCRm - VCRm - M - M - Gas

In-/Outlets

2 2 ports
4 4 ports

Inlet pressure P₁

50 max. 50 bar

Outlet pressure P₂

1,5 max. 1,5 bar
4 max. 4 bar
10 max. 10 bar

Outlet press. indication

Inlet press. indication

M pressure gauge
K contact pressure gauge
PT pressure transmitter
B without (plug)
0 1/4"-VCR female port only

Outlet

VCRm 1/2"-VCR male
VCRf 1/2"-VCR female

Inlet

VCRm 1/2"-VCR male
VCRf 1/2"-VCR female