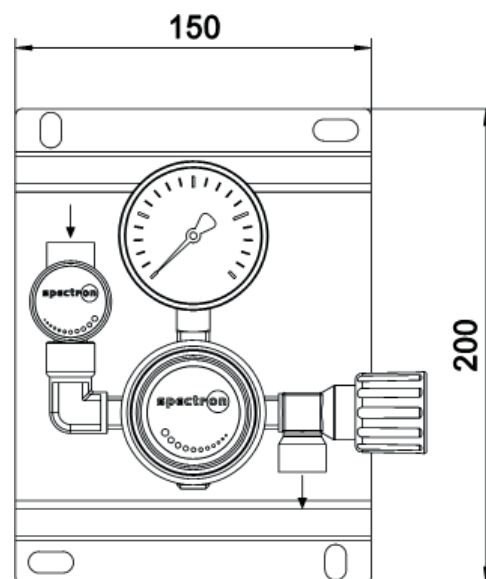


Tapping points CRT



Tapping point CRT60-1V

(In- and outlet fittings not part of the standard scope of supplies)



Product features

- Wall-mounting tapping points
- For non-corrosive high-purity gases up to quality 5.0
- Ergonomically designed
- Regulator with high control accuracy and relief valve
- Filter in the pressure regulator
- Laboratory-style design for easy installation
- Tested for use with oxygen
- Tapping points suitable for inlet pressure up to 40 bar
- Safety pressure gauges with dual bar/psi scale
- Powder-coated bonnet

Technical data

Type	single-stage
Inlet pressure P₁	max. 40 bar
Outlet pressure P₂	max. 10 bar
Materials	
Body regulator and valves:	brass
Bonnet:	brass, powder coated
Valve seat regulator:	PA
Diaphragm regulator:	SS 1.4310
Filter regulator	Stainless steel 1.4404
Mounting plate:	Stainless steel
In- / Outlets	1/4"-NPT female
Temperature range	-20°C to +60°C
Leak rate (external)	≤10 ⁻⁷ mbar l/s He
Pressure gauges (1/4"-NPT)	Safety pressure gauge ISO5171/KI2.5/NG63 with bar/psi scale
Weight	2,8 kg

Ordering information:

CRT60 - 1V

Tapping point version

- | | |
|-----------|---|
| 1 | single tapping point with inlet shut-off valve |
| 1V | single tapping point with inlet shut-off valve and outlet control valve |