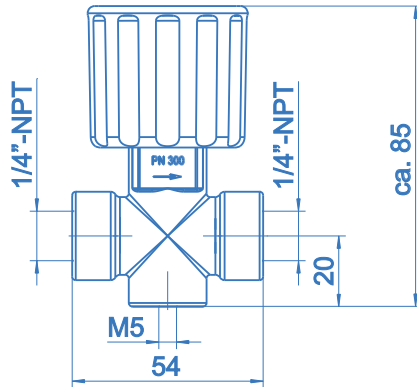


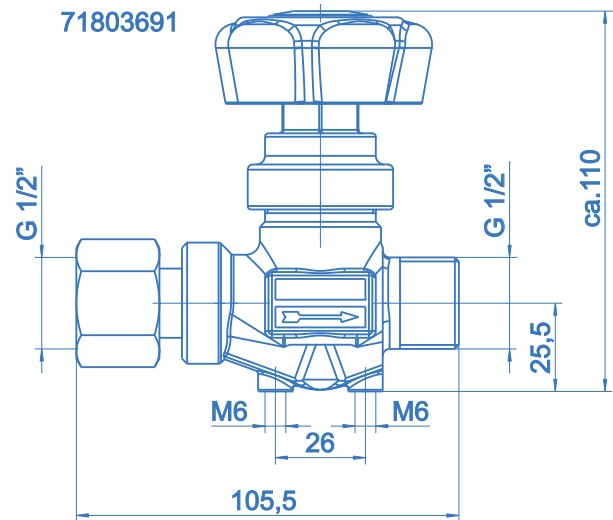
Shut-off valves V6 and V13

spectro **tec**

71833241



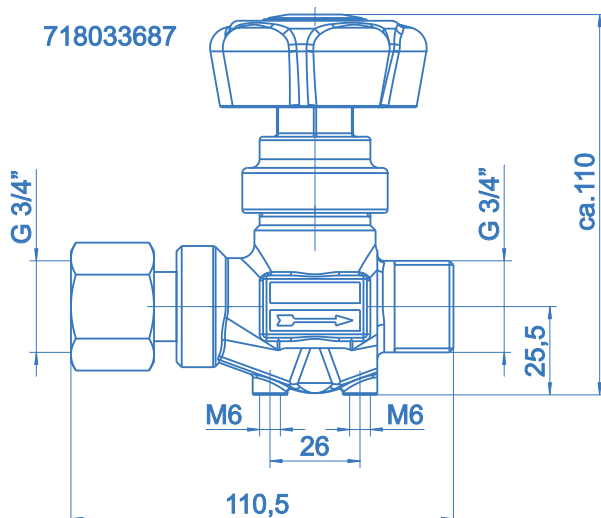
71803691



Technical data

Type (Art.-no.)	V13 (71833241)	V6 (71803691)	V6 (71803687)	V6 (71803701)
Pressure	max. 300 bar	max. 40 bar	max. 40 bar	max. 40 bar
Nominal diameter	DN 3,5	DN 10	DN 13	DN 13
Cv-value	0,22	1,72	2,51	2,51
Materials				
Body:	brass	brass	brass	brass
Sealing (seat):	PA 6	PA 6	PA 6	PA 6
Sealing to atmosphere:	O-ring	Hastelloy	Hastelloy	Hastelloy
Filter:	sintered bronze	-	-	-
Connectors				
Inlet:	1/4\"-NPT female	G 1/2\" female	G 3/4\" female	G 3/4\" male
Outlet:	1/4\"-NPT female	G 1/2\" male	G 3/4\" male	G 3/4\" male
Temperature range	-30°C to +60°C	-30°C to +60°C	-30°C to +60°C	-30°C to +60°C
Leak rate	<10 ⁻⁴ mbar l/s He	<10 ⁻⁴ mbar l/s He	<10 ⁻⁴ mbar l/s He	<10 ⁻⁴ mbar l/s He
Weight	0,4 kg	0,9 kg	1,0 kg	0,8 kg
Position indicator	yes	no	no	no
Approval for oxygen	yes	yes	yes	yes

718033687



71803701

