

# Tapping points ET65-BV

spectro**tec**

## Tapping points ET65-BV



Single tapping points for non flammable gases, oxygen and flammable gases

Double tapping point



Single tapping point with flow gauge

Single tapping point with flowmeter + control valve

Single tapping point with double flowmeter+control valve

Double tapping point with connection block+flashback arrester

### Product features

- Tapping points with ball valve for wall mounting
- For non-corrosive industrial gases
- Approved for use of oxygen
- Single-stage pressure regulator with high control accuracy
- Central filter in the pressure regulator
- Safety pressure gauge acc. to DIN EN ISO 5171
- Easy installation
- Single and double tapping points available in the following configurations:
  - with adjustable outlet pressure (pressure gauge)
  - with adjustable flow (flow gauge)
  - with adjustable flow (flowmeter + control valve)
  - with flashback arrester (optional) - see price list
- Single tapping points also available with fixed outlet pressure and 2 flowmeters + control valves

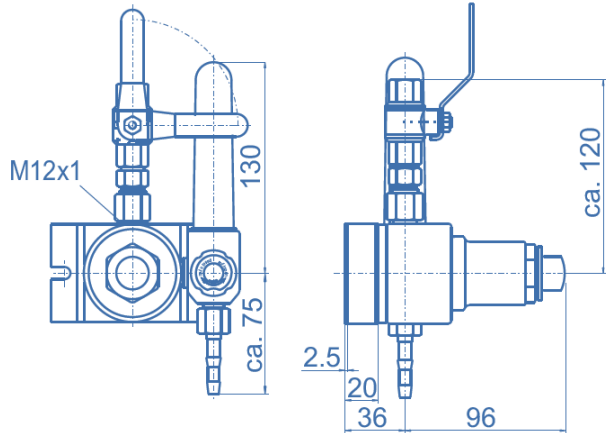
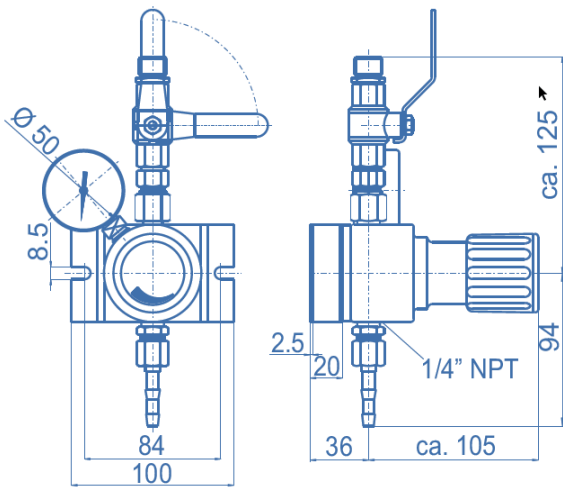
### Technical data

<b>Type</b>	single-stage
<b>Inlet pressure P<sub>1</sub></b>	max. 40 bar max. 1,5 bar (acetylene)
<b>Max. outlet pressure P<sub>2</sub></b>	1,5 / 2,5 / 10 / 20 bar
<b>Materials</b>	
Body:	brass
Diaphragm:	EPDM
Valve cone:	PA
<b>Inlet ball valve</b>	
flammable gases:	G 3/8"LH male or G 3/8"RH female
other gases:	G 3/8"RH male or G 3/8"RH female
<b>Outlet press. regulator</b>	
flammable gases:	G 3/8"LH male with 9 mm hose connection
other gases:	G 1/4"RH male with 6 mm hose connection
<b>Pressure gauge ports:</b>	G 1/4" - female
<b>Temperature range</b>	-20°C to +60°C
<b>Leak rate</b>	≤10 <sup>-4</sup> mbar l/s He
<b>Weight</b>	ca. 1,5 kg

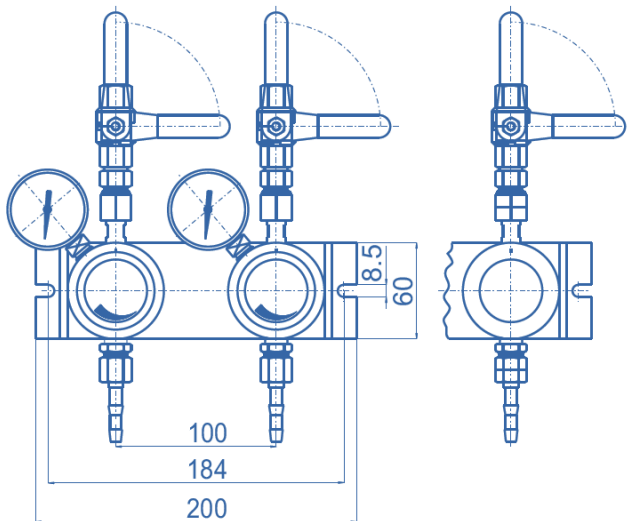
# Tapping points ET65-BV



## Dimensions: Single tapping points ET65-BV-1



## Double tapping points ET65-BV-2



### Versions with pressure gauge

Gas type	P <sub>1</sub> [bar]	scale	outlet
Oxygen, non flammable and flammable gases	40 / 1,5	0,1 - 1,5 bar	6mm hose connection (9mm for flammable gases)
	40	0,2 - 2,5 bar	
	40	1 - 10 bar	
	40	2 - 20 bar	

### Versions with flow gauge

Gas type	P <sub>1</sub> [bar]	scale	outlet
Argon / CO <sub>2</sub>	40	1 - 16 l/min.	6mm hose connection
	40	4 - 32 l/min.	

### Versions with flowmeter

Gas type	P <sub>1</sub> [bar]	P <sub>2</sub> [bar]	scale	outlet
Argon	40	1,4	1 - 5 l/min.	6mm hose connection
Ar/CO <sub>2</sub>	40	4	2 - 16 l/min.	
Nitrogen, Ar/H <sub>2</sub>	40	4	5 - 30 l/min.	
Forming gas	40	4	5 - 35 l/min.	
Ar/CO <sub>2</sub>	40	4	10 - 45 l/min.	
Hydrogen	40	4	5 - 50 l/min.	

## Flow rates Q [m<sup>3</sup>/h] ET65-BV

The tables below provide the values for the flow rate in standard cubic metres of compressed air at the indicated operating conditions. The flow rates of other gas types may be estimated using the conversion factors from the table on the right.

For more specific flow rate calculations please refer to our data sheet "Performance diagram".

Inlet press. P <sub>1</sub> [bar]	Flow rates Q at P <sub>2</sub> [bar] for compressed air					
	0,5	1	3	6	10	20
40	5	15	30	40	50	60
20	5	15	20	25	30	-
10	5	15	15	15	-	-
5	5	10	10	-	-	-

Inlet pressure P <sub>1</sub> [bar]	Flow rates Q at P <sub>2</sub> [bar] for acetylene		
	0,3	0,5	1
1,3	0,2	0,5	1

### Conversion factors

Gas type	Factor
Argon	0,85
Helium	2,69
Carbon dioxide	0,81
Oxygen	0,95
Nitrogen	1,02
Hydrogen	3,79

Performance factor L<sub>10</sub> = 3

# Tapping points ET65-BV



Ordering information: Tapping points ET65-BV

Single tapping point or left side      Right side for double tapping points  
 ET65-BV - 2M - O2 - M 10 / C2H2 - M 1,5

## Series

- 1M**      Single tapping point with G 3/8" male inlet
- 1F**      Single tapping point with G 3/8" female inlet
- 2M**      Double tapping point with G 3/8" male inlet
- 2F**      Double tapping point with G 3/8" male inlet

## Type of gas

- O2**      Oxygen
- C2H2**    Acetylene
- NFG**    non-flammable gases
- FG**      flammable gases

Flashback arrestors: see price list

## Version

### Pressure gauge

- M 1,5**    P<sub>2</sub> adjustable max. 1,5 bar
- M 2,5**    P<sub>2</sub> adjustable max. 2,5 bar
- M 10**     P<sub>2</sub> adjustable max. 10 bar
- M 20**     P<sub>2</sub> adjustable max. 20 bar

### Flow gauge

- DM 16**    flow rate 1-16 l/min
- DM 32**    flow rate 4-32 l/min

### Flowmeter (see table below)

- FL 5**      flow rate 1-5 l/min.
- FL 16**     flow rate 2-16 l/min.
- FL 30**     flow rate 5-30 l/min.
- FL 35**     flow rate 5-35 l/min.
- FL 45**     flow rate 10-45 l/min.
- FL 50**     flow rate 5-50 l/min.

**2FL ...**    Double flowmeter (left + right)

### Without pressure regulator

- CB**        connection block only for Acetylene

### Version with flowmeter

Gas type	P <sub>1</sub> [bar]	P <sub>2</sub> [bar]	scale	outlet
Argon	40	1,4	1 - 5 l/min.	6mm hose connection
Ar/CO <sub>2</sub>	40	4	2 - 16 l/min.	
Nitrogen, Ar/H <sub>2</sub>	40	4	5 - 30 l/min.	
Forming gas	40	4	5 - 35 l/min.	
Ar/CO <sub>2</sub>	40	4	10 - 45 l/min.	
Nitrogen	40	4	5 - 50 l/min.	