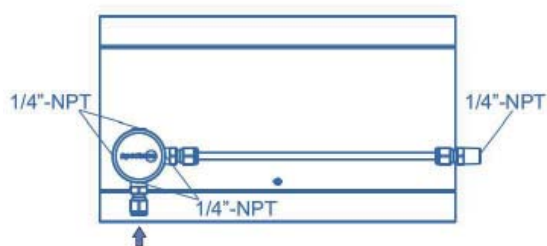


Extensions BM55+56-E

spectro lab



Extensions BM55-E



Product features

- Extension modules for pressure control panels Spectrolab BM55 and BM56 series
- For non corrosive gases up to quality 6.0
- Laboratory style design
- Designed for easy installation
- With filter in the inlet of each individual extension module

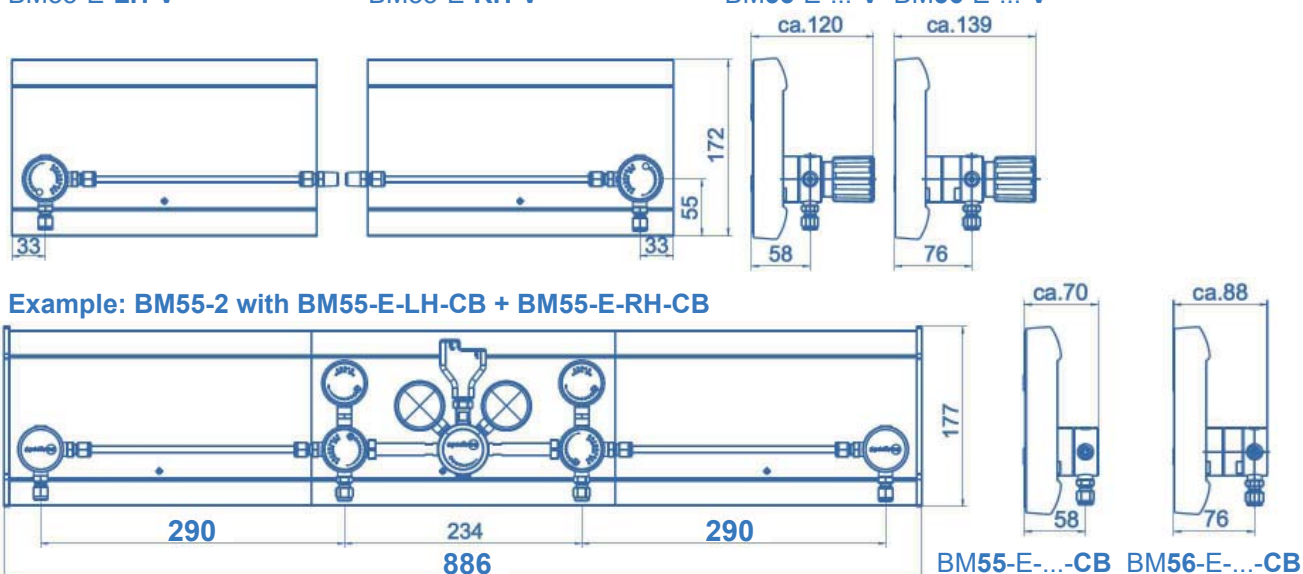
Technical data

Inlet pressure P_1	max. 300 bar
Materials	
Body:	chrome plated brass
Pipes:	stainless steel
Filter	sintered stainless steel
Inlet	stainless steel compression ring fitting 6x1 mm
Temperature range	-20 to +60°C
Weight	ca. 1 kg per side

BM55-E-LH-V

BM55-E-RH-V

BM55-E-...-V BM56-E-...-V



Example: BM55-2 with BM55-E-LH-CB + BM55-E-RH-CB

Ordering information: Extensions BM55+56-E

BM55 - E - LH - CB

Type

- 55** single-stage panel BM55 or BM56-2U
56 double-stage panel BM56-1 or BM56-2

Side

- RH** right
LH left

Inlet

- CB** connection block
V valve (manual)
VP pneumatic valve