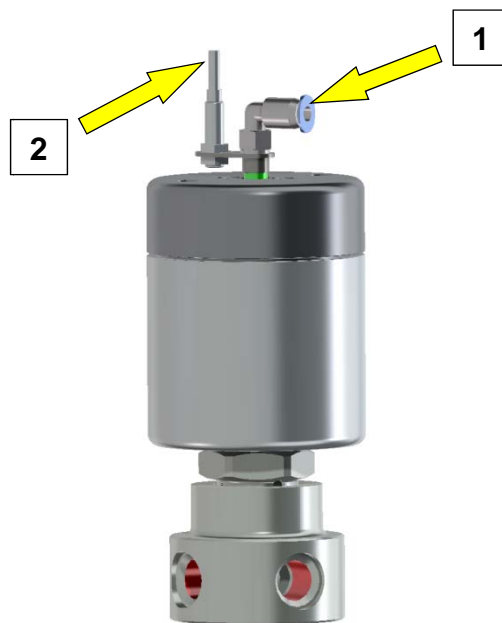


The Spectron pneumatic actuator is available with pressure ratings of 25, 100, 200 and 300 bar in two versions each as "normally closed (NC)" and "normally open (NO)."

Activation is generally performed via the Spectron control units "Flopurge" or "Flowswitch." To connect the pneumatic actuator to these control units, please proceed as follows:

→ **Note on the numbering of illustrations:**

The numbering corresponds to a component described in the respective installation step



1. Insert the plastic compressed-air hose (external diameter 4 mm!) leading from the control unit into the push-in elbow screw fitting of the pneumatic actuator.

If it should become necessary to dismantle the hose, press the blue ring of the push-in elbow screw fitting firmly, while at the same time pulling out the hose.

→ **Important!**

For reliable operation of the pneumatic actuator, the system pressure of the compressed-air supply must be between 5.5 and 8 bar.

2. If the pneumatic actuator is equipped with sensor detection of the valve switching state (open / closed), connect the sensor cable correctly to the control unit.

→ **Important!**

Distance between sensor and body cover:

NC: adjust to 0 - 0.35 mm in unpressurised state

NO: adjust to 0 - 0.35 mm in pressurised state