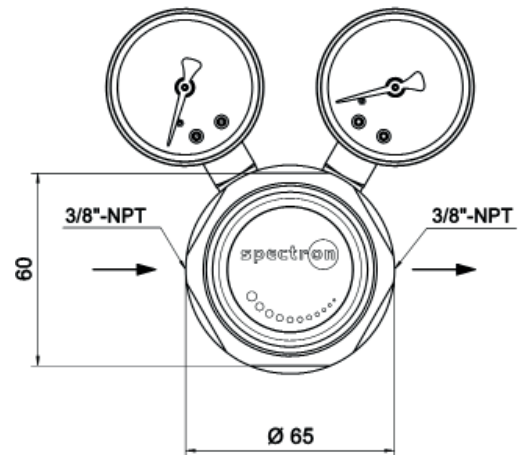


Line pressure regulator LE71

spectron



Pressure regulator LE71



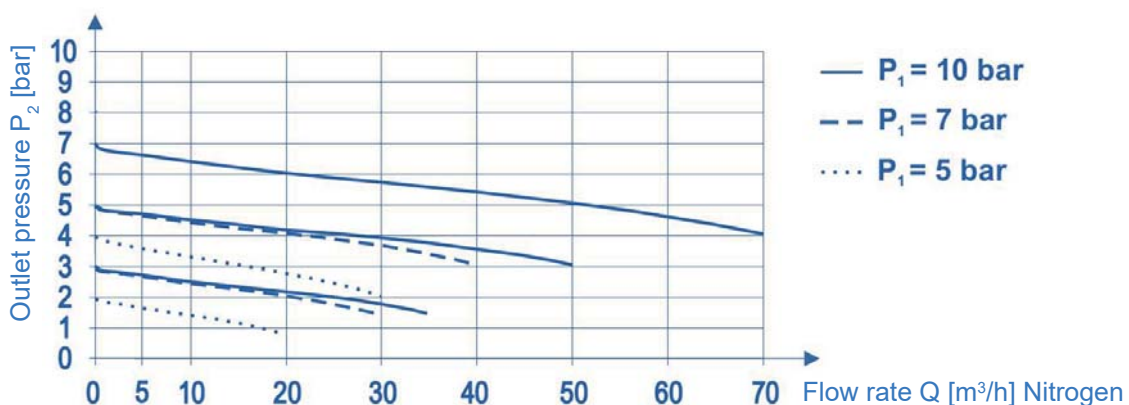
Product features

- Single-stage line pressure regulator for corrosive gases, toxic gases and gas mixtures up to quality 6.0
- High control accuracy
- New laboratory style design
- Ergonomic design
- Suitable for ECD applications
- Outlet pressure limitation by special locking
- Hastelloy diaphragm
- Powder coated bonnet

Technical data

Inlet pressure P_1	max. 50 bar
Outlet pressure P_2	max. 1,5 / 4 / 10 / 20 bar
Materials	
Body:	SS 316L (SS 1.4404)
Diaphragm:	Hastelloy C276
Valve seat:	PTFE
In- / outlet	3/8"-NPT female
Pressure gauge connection	1/4"-NPT female
Temperature range	-20°C to +60°C
Leak rate	$\leq 10^{-8}$ mbar l/s He
Weight	1,5 kg

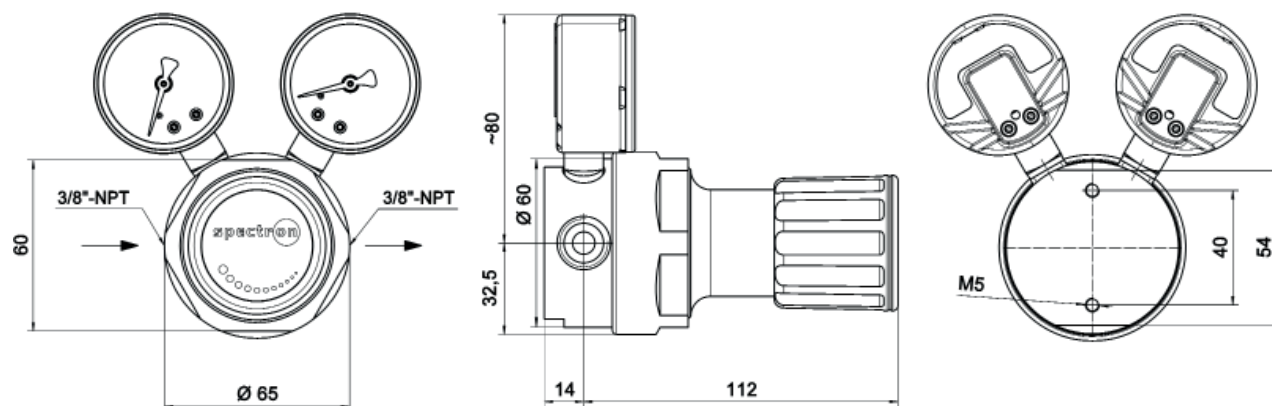
Flow rates LE71



Line pressure regulator LE71

spectro**cem**

Dimensions LE71



Ordering information: Line pressure regulator LE71

LE71 - 50 - 10 - M - M - N2

Inlet pressure P_1

50 max. 50 bar

Outlet pressure P_2

1,5 max. 1,5 bar
4 max. 4 bar
10 max. 10 bar
20 max. 20 bar

Type of gas

Please specify type of gas!

Outlet pressure indication

B without (plug)
M pressure gauge
0 1/4"-NPT port only

Inlet pressure indication

B without (plug)
M pressure gauge
0 1/4"-NPT port only

Specifications:

- Spectrocem components guarantee maximum quality by using high grade materials and a quality assurance program acc. to ISO 9001.
- All components which come into contact with the medium are cleaned in an ultrasonic cleaning system (CFC-free) with the special cleaning process Spectroclean® and are then baked out.
- Spectrocem components undergo a 100% function- and Helium-leak test.