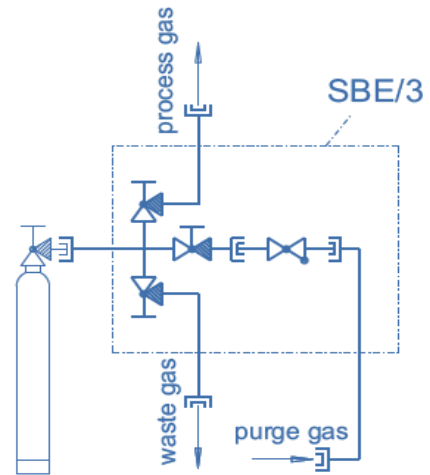


Purge- and connection block SBE3

spectro**cem**



SBE3 (without accessories)
process gas valve with pneumatic actuator



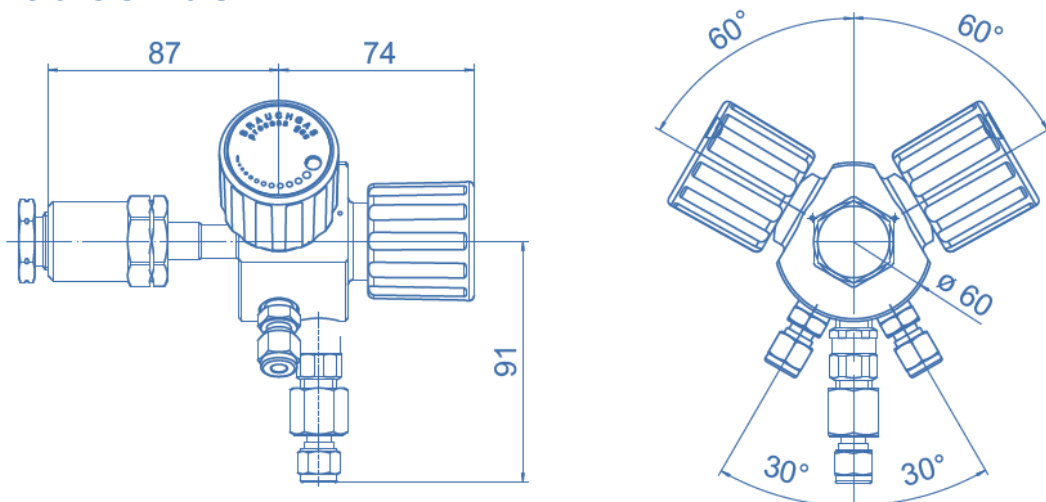
Product features

- Purge- and connection block for use with high-purity, strongly corrosive or toxic gases in combination with an inert gas purge arrangement
- Minimised purge volume of only 1,4 cm³
- With integrated capillary tube (short purge cycles)
- Contaminated purge gas can be vented through waste gas valve without entering the downstream system
- With non-return valve at the purge gas inlet and compression ring fittings
- Available with pneumatic actuators (optional)
- Available with:
 - pressure gauge (for low vapour pressure gases)
 - pressure regulator (mounted onto the purge block)
 - pressure control panel (with pigtail)

Technical data

Inlet pressure P₁	max. 300 bar
Materials	
Body:	stainless steel 1.4404
Diaphragm:	Hastelloy C276
Valve seat:	PCTFE or PVDF
Connections	
Cylinder connection:	acc. gas type / standard
In- / outlet:	1/4"-NPT female or 6 mm compr. ring fitting
Temperature range	-20 to +60°C
Nominal diameter	DN 3
c_v-value	c _v = 0,13 (k _v = 0,11)
Leak rate (to atmosphere)	≤ 10 ⁻⁸ mbar l/s He
(via seat)	≤ 10 ⁻⁶ mbar l/s He
Weight	1,6 kg

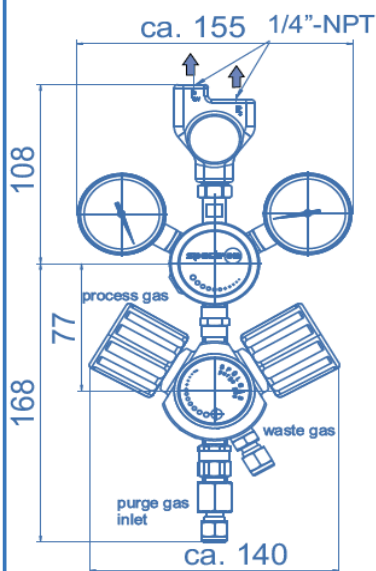
Dimensions SBE3-SE



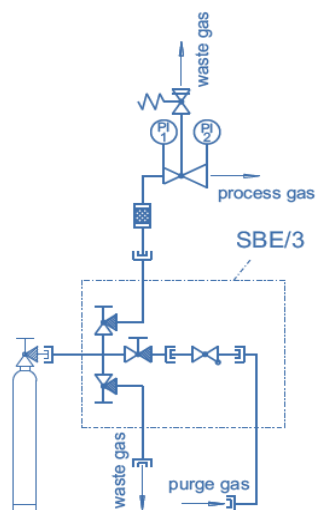
Purge- and connection block SBE3

spectro**cem**

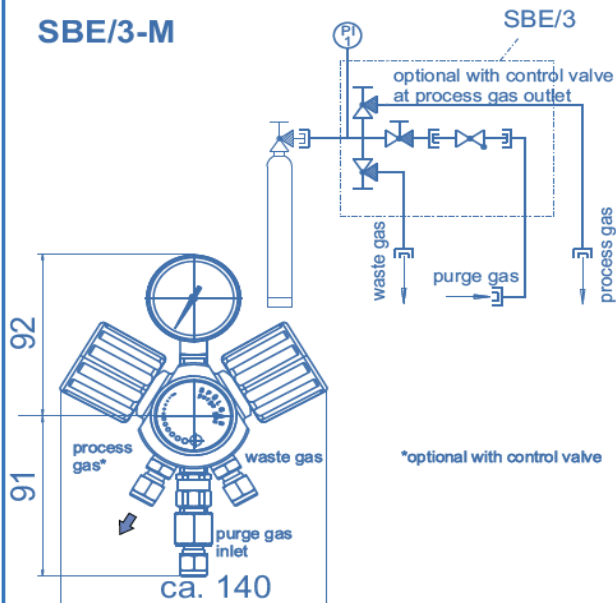
Dimensions



SBE/3-E51+53



SBE/3-M



Ordering information: Purge- and connection blocks SBE3

SBE3 - SE - DIN8 - F2/He

Type

- SE** purge block to be connected with pigtail of pressure control panels SE45/55/125
- M** purge block with pressure gauge for vapour pressure up to 2 bar
- E51/10** purge block with 1-stage pressure regulator up to 10 bar
- E53/1,5** purge block with 2-stage pressure regulator up to 1,5 bar
- E53/4** purge block with 2-stage pressure regulator up to 4 bar
- E53/10** purge block with 2-stage pressure regulator up to 10 bar

New: pressure regulators with tied diaphragm

Type of gas

Please specify type of gas with your order!

Cylinder connection

Detailed specification of the cylinder connection (e.g. BS no. 3)