



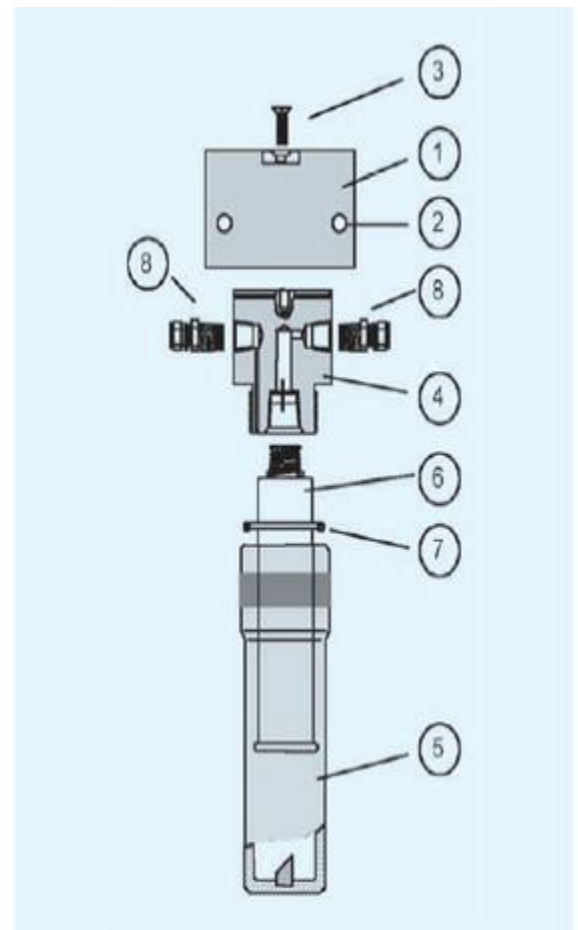
Operation manual for the Spectromol® Gas Purification System High pressure housing for small aluminium cartridge

Before handling this unit, it is required to observe the manual instruction, especially the safety instructions.

This manual instruction must be available for the user at all times.

The high pressure housing supports small aluminum cartridges for working pressure range up to 200 bar maximum.
The cartridge must be installed in vertical direction, therefore the wall bracket (1) needs to be fixed to the wall accordingly.

1. Attach the wall bracket (1) to the wall with suitable screws using the mounting holes (2).
2. Fix the HP housing (4) with screw (3) to the wall bracket (1). Please take care of the flow direction.
3. Selected compression ring fitting (8) with NPT 1/4" male thread must have PTFE tape. Please make sure that PTFE tape will be applied to the NPT thread with 5-6 turns, leaving the first 2 turns of the thread free.
4. Connect the compression ring fittings (8) with the HP housing (4) by hand. Afterwards fix the compression ring fittings with 3 – 4 turns tightly using a spanner or other applicable tool.
5. Connect the inlet & outlet tubes with the compression ring fittings (8).
6. HP bushing (5) must be removed from the HP housing (4). The sealing (7) must be inside the HP bushing (5).
7. Take the cartridge (6) out from its protection foil and screw it into the HP housing (4).
8. Connect the HP bushing (5) including the sealing ring (7) with the HP housing (4) during a low gas flow to purging out ambient air. Fix the HP bushing (5) hand tight to the HP housing (4). Make sure that sealing ring (7) is fixed correct & tight in between the HP bushing (5) and HP housing (4).



Now the purifier system is ready for process.

Safety instructions:

Caution: High pressure housing used with aluminum cartridges only!
Do not use force to open. **OXISORB®** mass contains chromium Oxide.
Avoid contact with the skin and respiratory tracts. Hazardous waste!
Return empty cartridges to Spectron GCS
See address below.