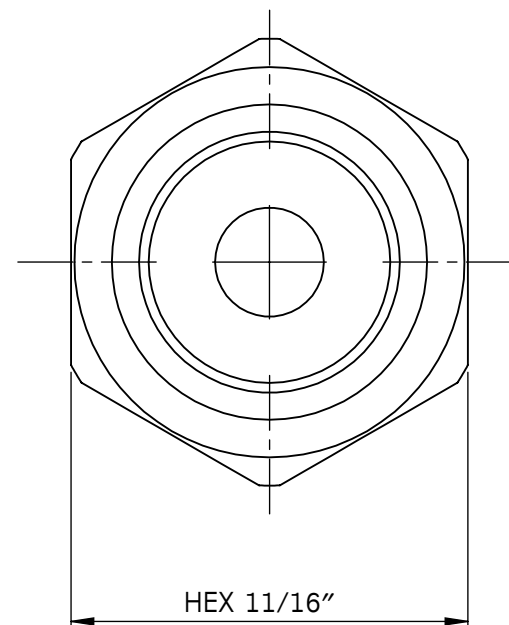
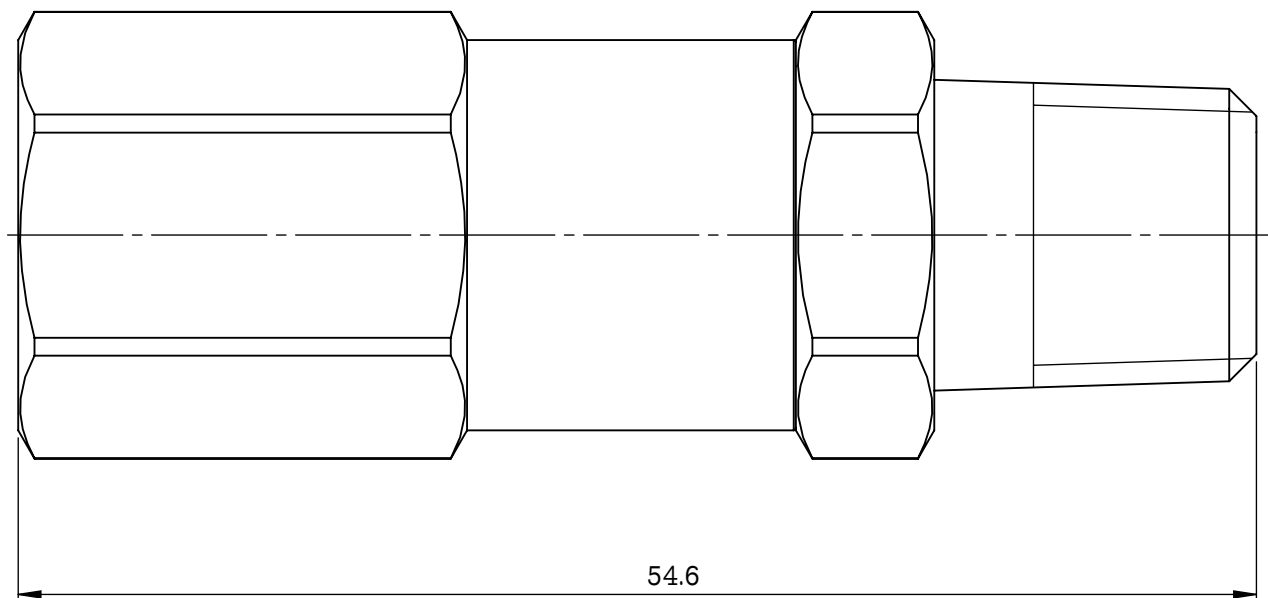
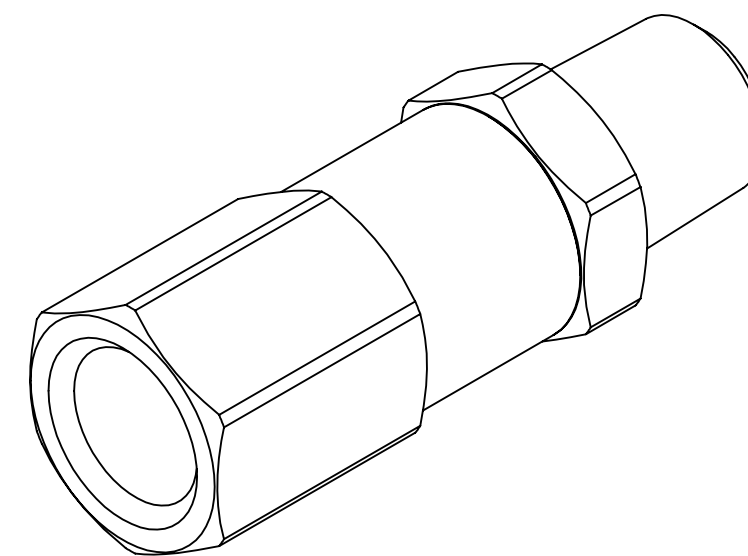


THIS DRAWING AND INFORMATION INCLUDED, ARE THE CONFIDENTIAL PROPERTY OF HAM-LET LTD AND ARE LOANED TO YOU FOR A LIMITED PURPOSE. NEITHER BE COPIED EXHIBITED OR FURNISHED TO OTHERS IN ANY FORM WITHOUT THE WRITTEN CONSENT OF HAM-LET LTD.




OXYGEN CLEAN !



CUSTOMER APPROVAL

Company: _____
 Name : _____
 Position : _____
 Signature : _____
 Date : _____

TECHNICAL DATA	
	6000PSI @ 70°F
MAWP	414BAR @ 21°C
	400°F @ 100PSI
MAWT	204°C @ 6.9BAR

 HAM-LET Advanced Control Technology		HAM-LET GROUP P.O.BOX 824 Nazareth Illit, 17000 Israel mail@ham-let.co.il	
		Prod. Name: CUSTOMER DRAWING	
Approvals		Description: H-415HP-SS-N-1[4-1]3PS OC	
Drawn Name: I.K.	Engineering Name: M.M.	Part No:	
Sign: Date: 23/03/2023	Sign: Date: 23/03/2023	Not for scale	Rev: Draft Sheet 1 OF 1