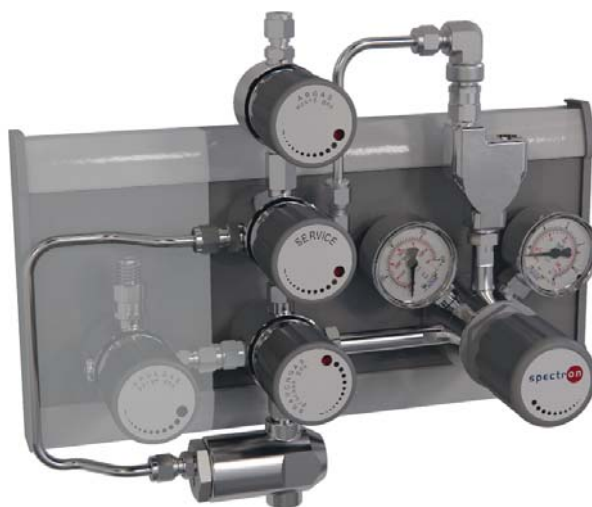


# High pressure safety stop SP300-E

spectron



BE55-1 with SP300



BE55-1 with SP300S (purge device optional)

## Product features

- Stainless steel safety shut-off device (SSD) for pressure control panels
- Immediate stop of the gas supply at excessive increase of the outlet pressure
- For corrosive, toxic gases and gas mixtures with corrosive components up to quality 6.0
- Suitable for an inlet pressure up to 300 bar
- Suitable for max. outlet pressure between 1.5 and 100 bar
- EU-type examination (module B, model type) according to guideline 2014/68/EU
- CE certified (CE 0036)
- Designed for easy installation
- No extra power required (process gas controlled)
- Shut-off of the gas supply near the source saves gas (no loss by venting via the waste gas line) and increases safety.
- Saves installation cost - no pressure relief piping necessary
- Simple reset can put the SP300 back into operation service after the fault correction.

## Technical data

<b>Inlet pressure <math>P_1</math></b>	max. 300 bar
<b>Outlet pressure <math>P_2</math> /</b>	1.5 / min. 4 bar
<b>Activation pressure <math>P_A^*</math></b>	4 / min. 6 bar
	10 / min. 16 bar
	20 / min. 30 bar
	50 / min. 80 bar
	100 / min. 140 bar

<b>Materials</b>	
Body:	Edelstahl 1.4404
Sealings:	EPDM or FKM

<b>In- and outlet</b>	1/4"-NPT female
-----------------------	-----------------

<b>Temperature range</b>	-20°C to +60°C
--------------------------	----------------

<b>Leak rate</b>	10 <sup>-8</sup> mbar l/s He
------------------	------------------------------

<b><math>C_v</math>-value</b>	2.2
-------------------------------	-----

<b>Nominal size</b>	DN 5
---------------------	------

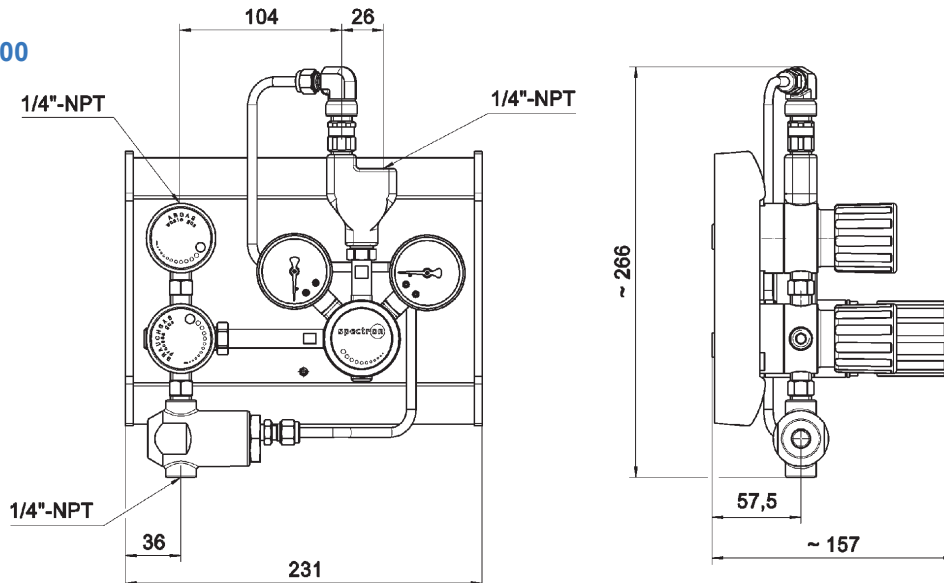
<b>Weight</b>	0.5 kg
---------------	--------

\* The downstream system has to be designed for  $P_A + 10$  bar.

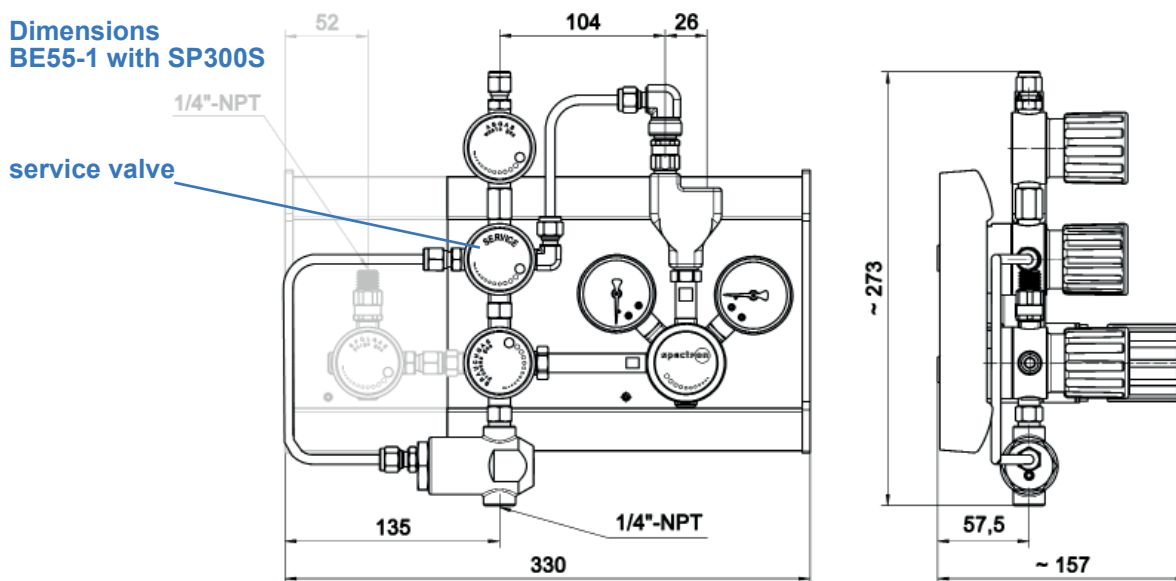
# High pressure safety stop SP300-E

spectro**cem**

Dimensions  
BE55-1 with SP300



Dimensions  
BE55-1 with SP300S



## Ordering information:

Pressure control panel BE55-1 with safety shut-off device SP300

**BE55-1-300-10-M-M-0-SP300-NH3**

### Outlet pressure $P_2$

- 1,5 - up to 1,5 bar
- 4 - up to 4 bar
- 10 - up to 10 bar
- 20 - up to 20 bar
- 50 - up to 50 bar
- 100 - up to 100 bar

### Type of gas

Please specify type of gas

### safety shut-off device

- SP300 - standard
- SP300S - with service valve

**Attention:** The safety shut-off device SP 300 is only allowed to be used according to module B of guideline 2014/68/EU (model type) in combination with the therein described pressure relief valve (release device).